

5.5 GCP ALUMINUM HORIZONTAL SLIDING TRANSACTION WINDOW

PART#: TW_GCP_5.5_ALUM_HORZ_SLD

PRODUCT LINE: WINDOWS

DESCRIPTION

The 5.5 GCP Aluminum Horizontal Sliding Transaction Windows consists of fixed and sliding transparent bullet resisting glazing to secure an opening, along with the aluminum framework, hardware, and fasteners needed for installation. The manual sliding panel can be opened to allow passage of packages and more familiarity with customers during periods of low threat. The transaction window uses 3/8" thick aluminum tube and u-channel in order to easily glaze ballistic glazing. While the framing is UL rated up to level 8, the u-channel and valance is not rated. The valance can be secured with ballistic fiberglass or armor plate rated UL level 1 through 8. These windows can be packaged with a stainless steel or plastic laminate countertop, along with a currency tray, and voice port. The transaction window is also available as a fixed 4-sided frame. In addition, this transaction window can be applied as a system or series of connected transaction windows.

OPTIONS

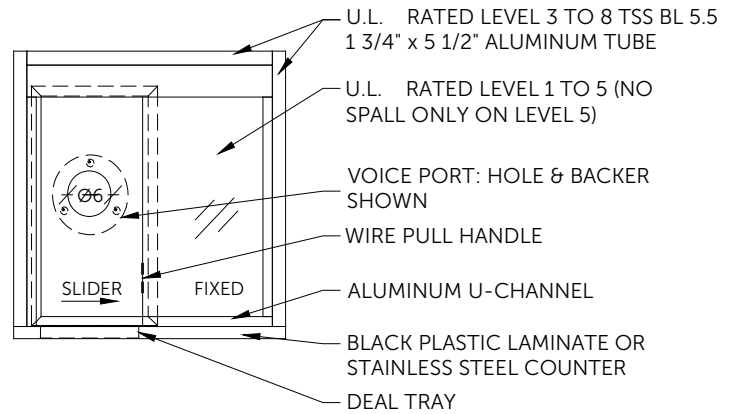
- Intended for Interior, Exterior Horizontal Windows Available
- Available in Clear, Dark Bronze, or Custom Paint/Anodizing
- No Minimum Size Exists and the Maximum Size is Constrained by the Glazing Sheets Available for the Particular Level of Protection Needed
- Max Glazing Thickness Available is 1 3/8"
- GCP Glazing Recommended, Polycarbonate and Acrylic Products May Be Used
- Hole & Backer, Metallic, and Electronic Voice Ports are available

RATINGS

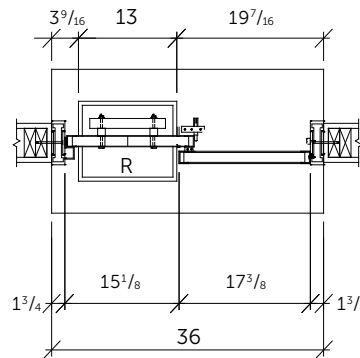
- U.L. Level 1-5 & 6 on All Glazing
- UL Levels 1-8 5.5 Framing
- UL Levels 1-8 Fiberglass/Armor Plate Inserts for Valance Available

STANDARDS

- Underwriters Laboratory 752 Standard for Bullet Resistant Equipment
- ASTM B 209/B 209M Standard Specification for Aluminum and Aluminum Alloy Sheet and Plate
- ASTM A 666 Standard Specification for Annealed or Cold-Worked Austenitic Stainless Steel Sheet, Strip, Plate, and Flat Bar (For Counter and Trays Only)



SECURE SIDE



36" Wide Window Shown.
As Unit Width Changes,
Fixed & Slider Widths
Will Adjust

THREAT SIDE

